

PROPRIETARY INFORMATION: PROPRIETARY OF GLOBTEK, INC. ANY REPRODUCTION, DISCLOSURE OR USE OF THIS DRAWING, IN WHOLE OR IN PART, IS HEREBY PROHIBITED EXCEPT AS SPECIFIED IN WRITING BY GLOBTEK, INC.	REVISION			
	REV	DESCRIPTION	DATE	APPROVED
	A	INITIAL RELEASE	03/11/03	PM
	B	CORRECT O/P CONNECTOR FROM 2.5 TO 2.1mm, REF. 7095 EM	09/21/05	DMR

1. NOTES:

DIMENSIONS ARE IN MM UNLESS SPECIFIED OTHERWISE.

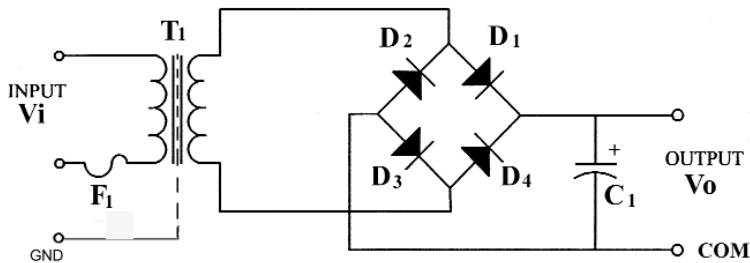
2. ELECTRICAL SPECIFICATIONS:

INPUT VOLTAGE:	120 VAC
INPUT CURRENT:	≤ TBD mA
INPUT FREQUENCY:	60 HZ
OUTPUT VOLTAGE:	+ 12 VDC ± 5 % @ RATED CURRENT
OUTPUT VOLTAGE (NO LOAD);	≤ 15.5 VDC MAX.
OUTPUT CURRENT (RATED)	100 mA
OUTPUT POWER (RATED):	1.2 WATTS MAX
PROTECTION:	INPUT FUSE
SAFETY APPROVALS:	UL 1310, CUL
DIELECTRIC WITHSTAND VOLTAGE:	1250 VAC PRIMARY-SECONDARY, 1250 VAC SECONDARY-GROUND
LEAKAGE CURRENT:	< 0.1 mA
OPERATING TEMPERATURE:	0°C TO 40° C
TEMPERATURE RISE:	≤ 70° C FOR RATED LOAD.
STORAGE TEMPERATURE:	-20°C TO 80° C
HUMIDITY:	0% TO 90% RELATIVE HUMIDITY

3. TEST RECORD:

Sample	I _P (mA)	I _O (mA)	V _O (VDC)	V _L (VDC)
TBD				

4. SCHEMATIC:



Design Values:

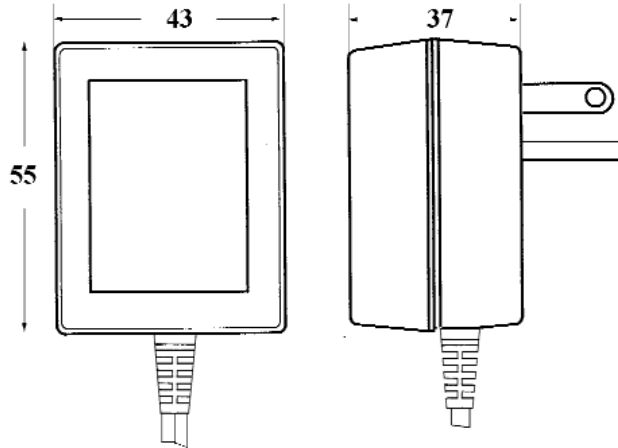
- V_I = 120 V AC
- V_O = 15.5 V DC (No Load)
- V_L = 12 V DC @ 100 mA
- F1 = 130°C Thermal Fuse

Foot Note: Globtek Inc. will not be liable for the safety and performance of these power supplies if unauthorized access and repair occurs. End user should consult applicable UL, CSA or EN standards for proper installation instructions.	DASH NO.	PART NO	REV.	DESCRIPTION	NOTES	
	TABULATION BLOCK					
	Limitation of Use: Globtek product are not authorized for use as mission critical components in life support, hazardous environment, nuclear or aircraft applications without prior written approval from the CEO of Globtek Inc.		TOLERANCES: DECIMALS ANGULAR .xx +/- 0.1 +/- 1° .xxx +/- .005		GlobTek, Inc. 186 Veterans Dr. Northvale, NJ 07647 Tel. 201-784-1000 Fax 201.784.0111 www.globtek.com	
	INIT.BY: EM	DATE: 03/11/03	MILLIMETERS ANGULAR .xx +/- 0.3 +/- 1° .xxx +/- .013			
DRAWN: NF	DATE: 03/11/03	FSCN No.: G, N	SIZE A	DWG TITLE: N.A. PLUG-IN WALL PLUG-IN LINEAR POWER SUPPLY, 1.2 WATT, 12V DC @ 0.1 A		
Contents of this document are subject to change without prior notice		APRVD : DMR	DATE: 03/11/03	SCALE: NONE	MODEL NO: AEC-T3512A REV. B PART NO: WD2E100CCP SHEET 1 OF 3	

PROPRIETARY INFORMATION:
 PROPRIETARY OF GLOBTEK, INC. ANY REPRODUCTION, DISCLOSURE OR USE OF THIS DRAWING, IN WHOLE OR IN PART, IS HEREBY PROHIBITED EXCEPT AS SPECIFIED IN WRITING BY GLOBTEK, INC.

5. ENCLOSURE

UPPER HOUSING: HIGH IMPACT PLASTIC, 94V0 POLYCARBONATE, NON-VENTED, COLOR BLACK
 LOWER HOUSING: HIGH IMPACT PLASTIC 94V0 POLYCARBONATE, NON-VENTED, COLOR BLACK
 SIZE IS: 55 X 43 X 37 ± 1 mm



6. INPUT CONNECTOR:

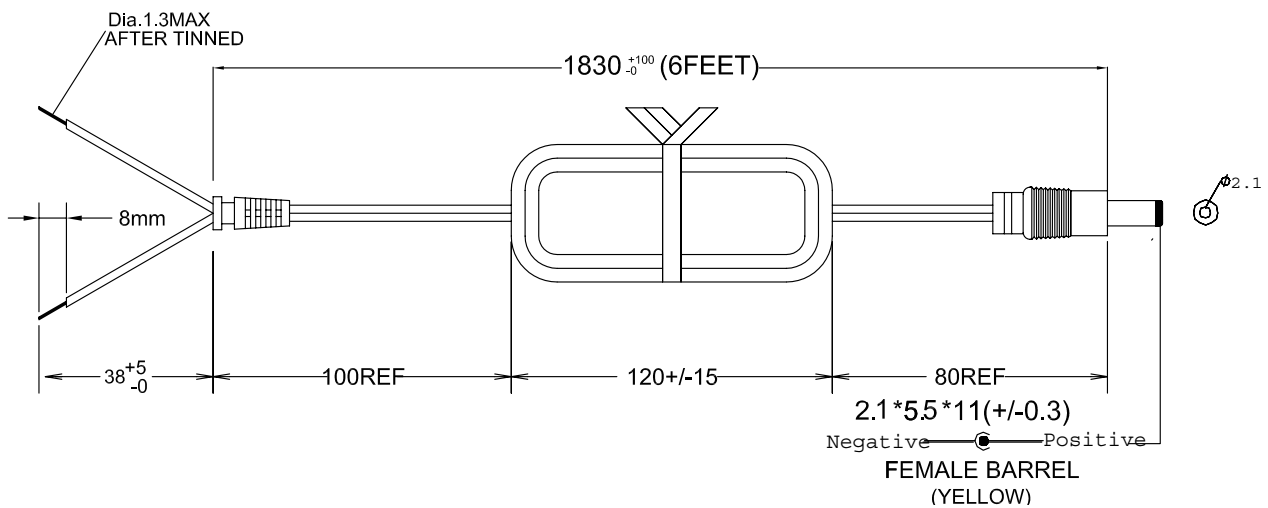
CONFIGURATION: NEMA 5-15P 2 BLADES & GROUND PRONG


7. OUTPUT CORD:

2 CONDUCTOR, 22 AWG STRANDED WIRE, FLAT UL 2468 CORD TYPE, COLOR BLACK, LENGTH OF CORD: 1830 +100, -0 mm. CORD IS MEASURED FROM THE HOUSING TO THE END OF OVERMOLD OF THE CONNECTOR. CABLE IS TO BE MARKED WITH WIRE GAUGE, AND ALL APPLICABLE RATING AND SAFETY APPROVALS.

8. OUTPUT CONNECTOR:

STANDARD, STRAIGHT FEMALE BARREL 5.5 x 2.1 x 11 MM WITH CENTER POSITIVE



		186 Veterans Dr. Northvale, NJ 07647 Tel. 201-784-1000 Fax 201.784.0111	
DWG TITLE: N.A. PLUG-IN WALL PLUG-IN LINEAR POWER SUPPLY, 1.2 WATT, 12V DC @ 0.1 A			
MODEL NO: AEC-T3512A		REV. B	
PART NO: WD2E100CCP		SHEET 2 OF 3	

PROPRIETARY INFORMATION:

PROPRIETARY OF GLOBTEK, INC. ANY REPRODUCTION, DISCLOSURE OR USE OF THIS DRAWING, IN WHOLE OR IN PART, IS HEREBY PROHIBITED EXCEPT AS SPECIFIED IN WRITING BY GLOBTEK, INC.

9. LABEL:

MATERIAL: .007 (0.18) THICK FLAT THERMAL TRANSFER, IMPRINTABLE, WHITE OR GRAY POLYESTER SHEET WITH BLACK NOMENCLATURE.

MANUFACTURER: STEVEN LABEL, MATERIAL I.D. NO.3302-33, UL FILE NO. MH12821(N), UL MATERIAL DESIGNATION FILE NO. GHW332RL. OPTIONAL LABEL MATERIAL CAN BE SUBSTITUTED PROVIDING MATERIAL IS UL LISTED AND COMPLEIS WITH APPLICABLE SAFETY REQUIREMENTS.

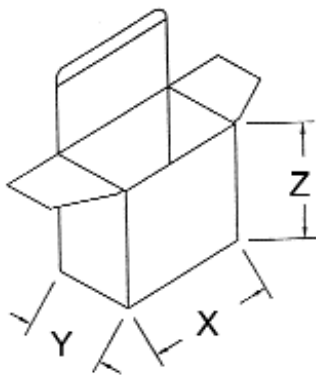


DATE CODE:
XX - WEEK
YY - YEAR

XXXX - USA OR CHINA

10. INDIVIDUAL PACKING BOX:

GLOBTEK STANDARD:



X = 75 mm
Y = 45 mm
Z = 65 mm

GlobTek, Inc.
www.globtek.com

186 Veterans Dr. Northvale, NJ 07647
Tel. 201-784-1000 Fax 201.784.0111

DWG TITLE: N.A. PLUG-IN WALL PLUG-IN
LINEAR POWER SUPPLY, 1.2 WATT, 12V DC @ 0.1 A

MODEL NO: AEC-T3512A

REV.
B

PART NO: WD2E100CCP

SHEET 3 OF 3